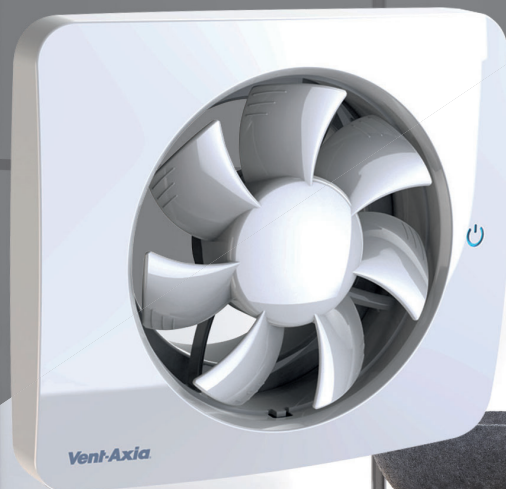


# PUREAIR SENSE

Bathroom Fan with Odour Sense Technology



Instruction Manual

A product by  
**Vent-Axia**

# READ THIS FIRST! IMPORTANT!

Please read these instructions carefully before use.

The fan is designed for permanent installation and must be installed by an authorized electrician.

According to the EN 60335 Standard, the following must be taken into account:

- This product can be used by persons aged 8 years and over and by persons with reduced physical or mental ability or lack of experience and knowledge, if they have received guidance or been instructed on the use of the product in a safe manner and are aware of the risks.
- Children must not play with the product. Cleaning and maintenance must not be carried out by children without supervision. The fan ducting length must not be less than 200mm.
- When mounting in wall or ceiling the external opening must always be protected against rain/snow with a hood/exterior grille.

## Functions

### Odour Sensor

The Vent-Axia PureAir Sense fan is equipped with an odour sensor that increases the airflow when the air is poor.

### Adjustable Timer

Triggered via light sensor. Possibility of a 2 minute delay, and selectable run-on time 15 or 30 minutes. The airflow can be adjusted from the control panel or via the app.

### Automatic Humidity Control System

Fully automatic humidity control, which means the fan increases the airflow at increased humidity. The airflow can be adjusted from the control panel or via the app.

### Continuous or Intermittent Operation

Let the fan run continuously if you need basic ventilation in your home. The flow can be adjusted from the control panel or via the app.

### Airing Function

If the fan has been inactive for 26 hours, it will run an airing program for 60 minutes.

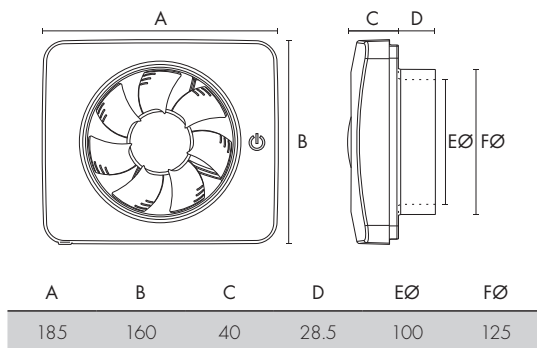
The airing function is not active when the fan is running continuously. The airflow can be adjusted from the control panel or via the app.

### App

The Vent-Axia Connect App can be downloaded to Android and IOS devices. The app gives you access to a variety of settings and functions. See the 'Quick App Connection' section in this manual (page 11) for initial set up, or visit the Vent-Axia website for detailed information and downloadable content on all fan functions with and without the app: [www.vent-axia.com](http://www.vent-axia.com)



## Dimensions (mm)



## Settings

Press the function icon and all adjustable/programmable symbols will light up. Then press any of the Timer, Humidity control, Continuous or Light/Odour.

This will only light up the selected function, which is then ready for adjustment. You can control speed/flow +/- is provided for certain functions. Lit lamps next to each symbol indicates the function is selected.

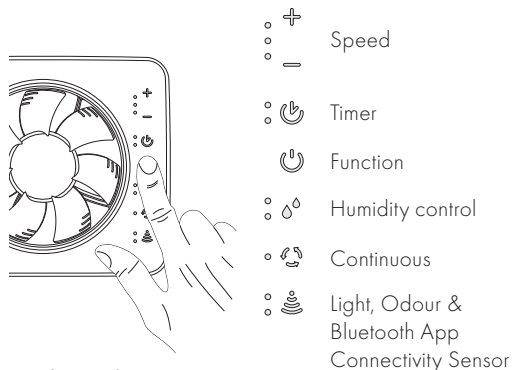
See the Vent-Axia website for detailed information on all fan functions with and without the app: [www.vent-axia.com](http://www.vent-axia.com)

## Default Factory Settings

Constant running low speed	ON - 10l/s
Airing function (every 26hr)	ON - 15l/s 60min
Overrun timer	ON - 15l/s 15min & 2min Delay
Humidity function	ON - 28l/s
Light sensor	OFF - 15l/s
Odour sensor	ON - 28l/s

## Reset

Press the function button once. Press and hold the function button for at least 5 seconds.



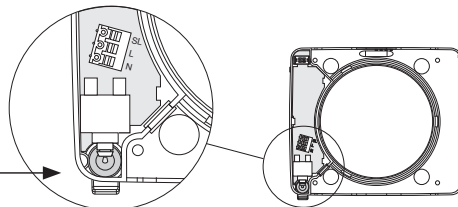
## Technical Data

Maximum airflow	140 m <sup>3</sup> /h or 39l/s
Min sound level	19 dB (A) 3m
Max pressure	57 Pa
Power consumption	2-5 W
Spigot depth	29 mm
Hole size	105-130 mm
Material	ABS plast
Protection rating	IP44
Insulation class	X
Voltage frequency	100-240VAC 50-60Hz
Certificates	DC6
Mounting options	Wall or ceiling
Bluetooth LE	-12dBm EIRP (63µW), nominellt 2450MHz

Vent-Axia hereby assure that this type of Bluetooth radio equipment complies with RED Directive 2014/53 / EU. The full text of the EU Declaration of Conformity can be found at the following URL: <http://bit.ly/3114hXl>

## Electrical Wiring

- Electrical installation must be carried out by an authorised electrician.
- The fan is double insulated and should not be grounded.
- The fan is fitted with a multi-pole switch and does not require a pre-wired external switch.

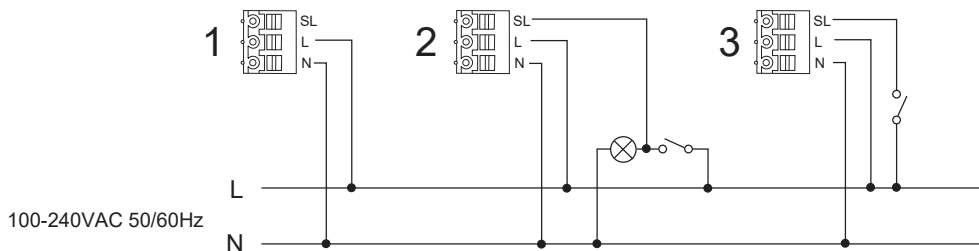


## Installation Options

The fan can be connected in three different ways depending on the desired function.

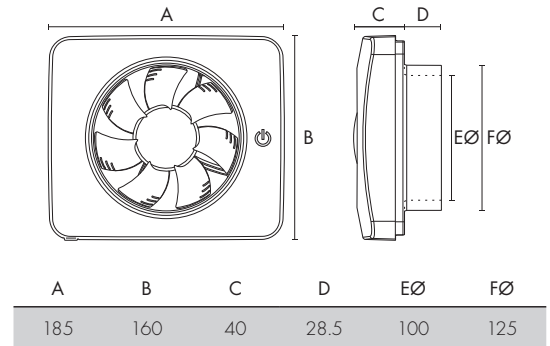
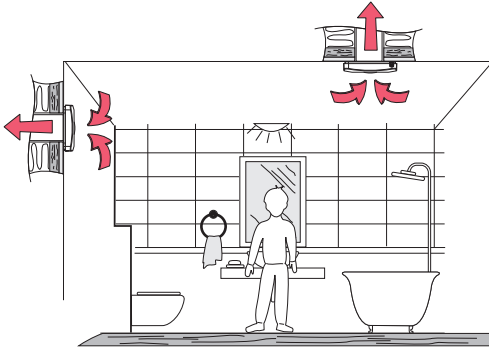
The fan is connected with constant voltage supply 100-240 VAC 50/60 Hz, phase (L) and Zero (N), see wiring diagram

- Time control with light switch, see wiring diagram 2. The fan is connected with constant voltage supply 100-240 VAC 50/60 Hz, phase (L) and Zero (N). The control phase (SL) is connected to activate the fan's time control, i.e. when the bathroom light comes on, there is power to the igniter wire. This option provides a delayed start of 2 minutes. The fan will run as long as the light is lit. When the light goes out, the fan will run for another 15/30 minutes.
- Time control with spring-loaded switch, see wiring diagram 3. The fan is connected with constant voltage supply 100-240 VAC 50/60 Hz, phase (L) and Zero (N). The control phase (SL) is connected to activate the fan's time control with spring-loaded switch. The fan runs for 15/30 minutes after the spring-loaded switch has been activated.



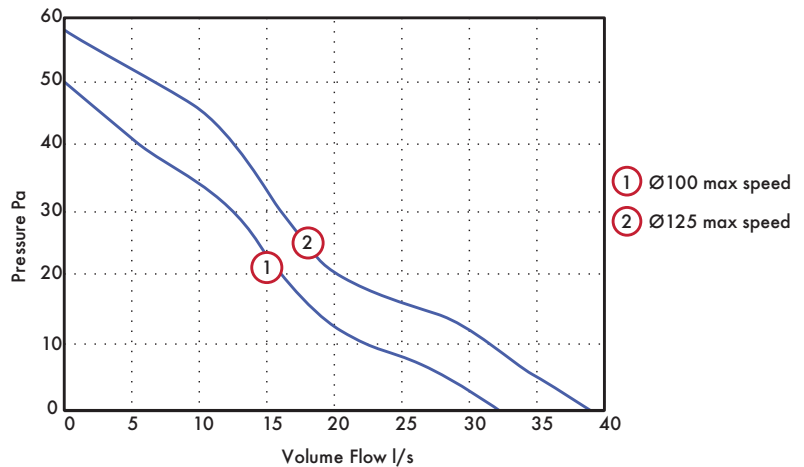
## Mounting Options

The fan is suitable for ceiling and wall mounting.

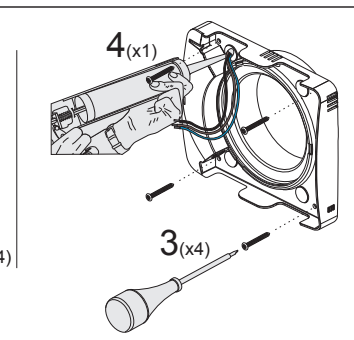
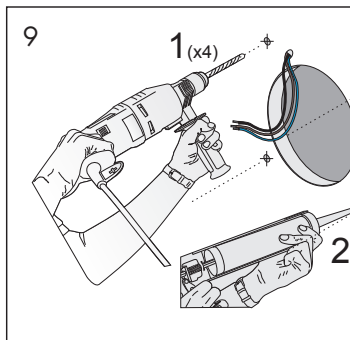
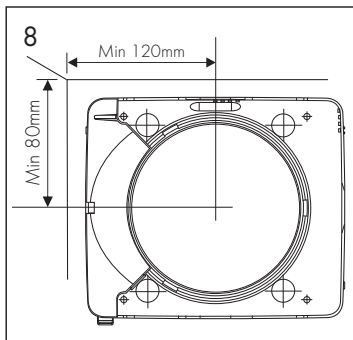
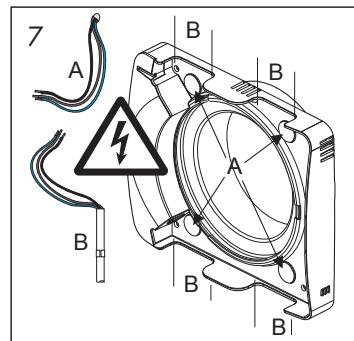
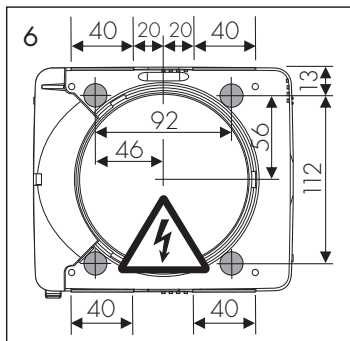
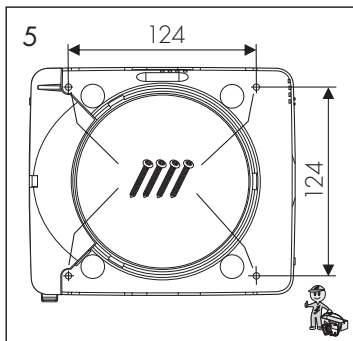


## Capacity Curve

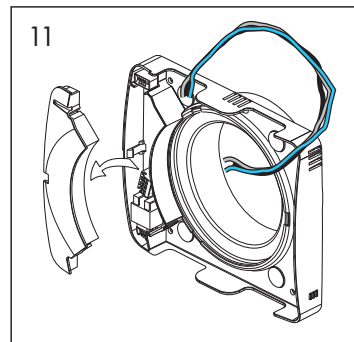
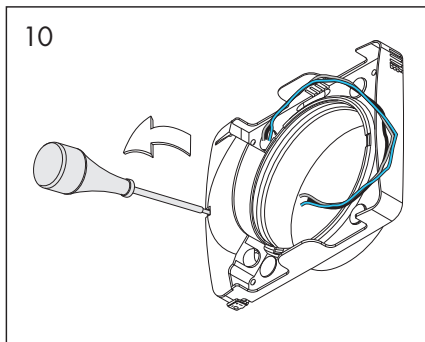
Maximum flow and available pressure 140 m<sup>3</sup> / 39l/s / h<sub>57</sub> Pa with Ø 118mm (125) adapter.



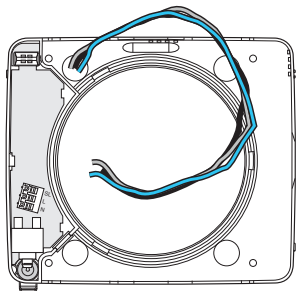




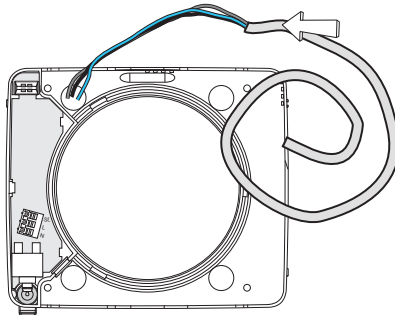
## Installation



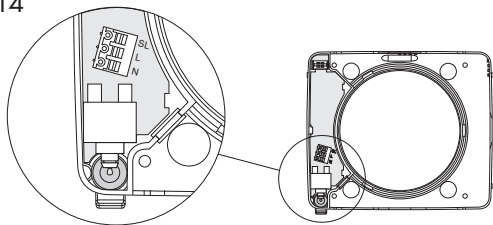
12



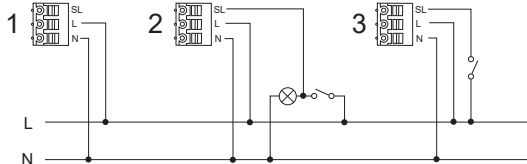
13



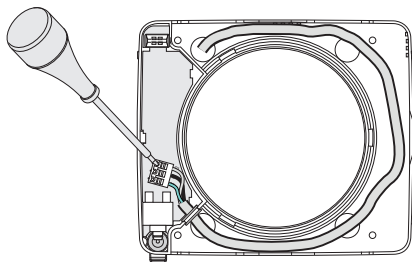
14



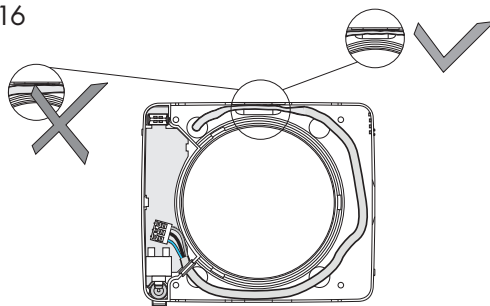
100-240VAC 50/60Hz



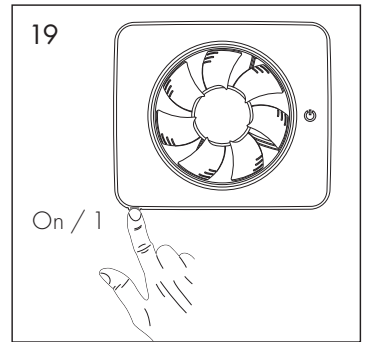
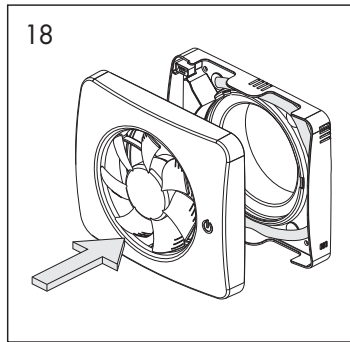
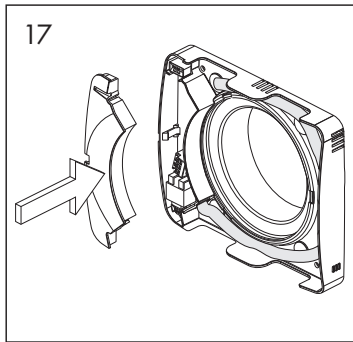
15



16

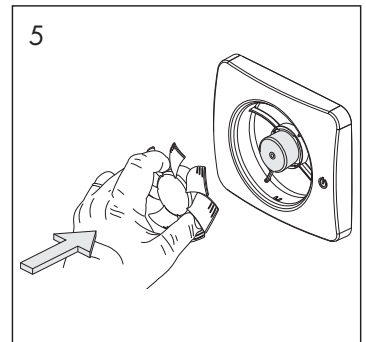
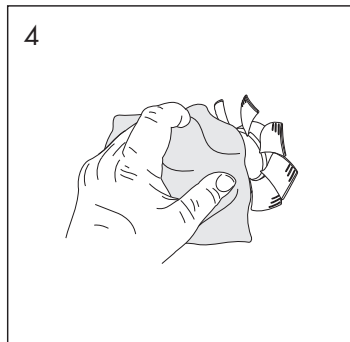
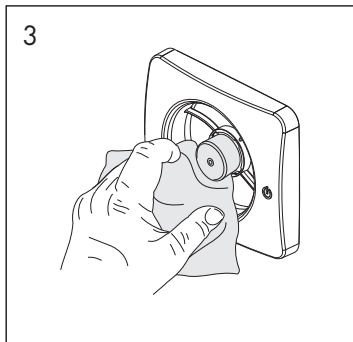
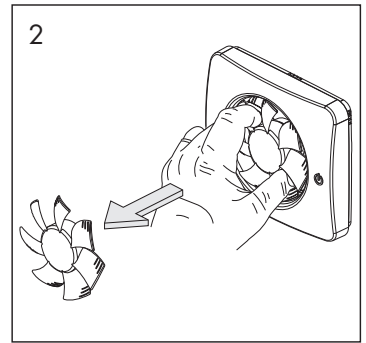
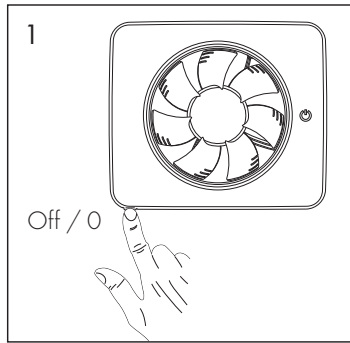




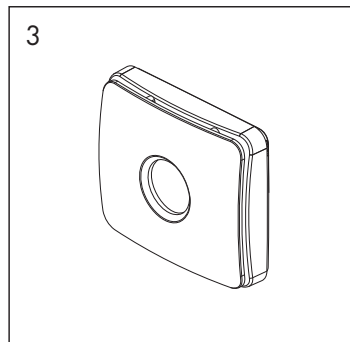
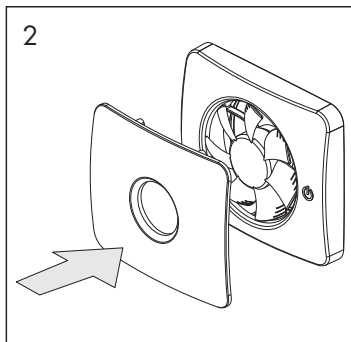
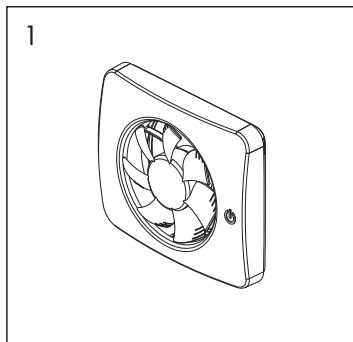


## Cleaning & Maintenance

The Vent-Axia PureAir Sense is designed to work efficiently for many years. For the fan to work correctly, it must be cleaned regularly. The cleaning interval is determined by how long the fan is operated and the air quality. Clean the fan at least twice/year or as necessary. When cleaning, disconnect the power to the fan by pressing the multi-pole switch upwards to the O-OFF position.



## Mounting of Magnetic Front Cover (accessory)



## Warranty

We provide a 7-year warranty against manufacturing defects.

For the warranty to be valid, proof of purchase is required and the fan:

- must be assembled and installed in accordance with the installation guide in this manual
- must have been maintained according to the maintenance instructions in this manual
- must be mounted in a normal residential environment
- must be connected to a voltage of 100-240VAC 50/60Hz
- has not been exposed to lightning or abnormal power surges
- has not been subjected to tampering
- has been installed so that water cannot spray/flush the fan
- must not have been installed in an environment where the temperature has exceeded 50° Celsius

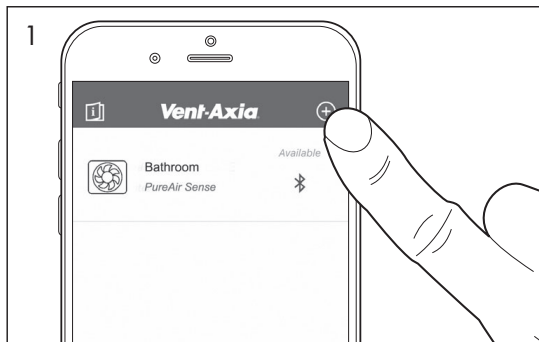


Product complaints shall be made to the point of purchase.

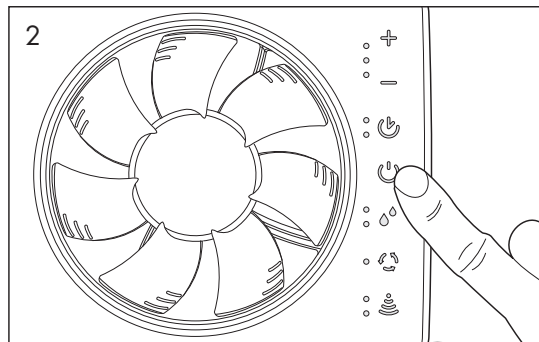
## Recycling

The product is labelled with the WEEE symbol indicating that it must not be disposed of in the household waste, but should be recycled at the appropriate place in each municipality.

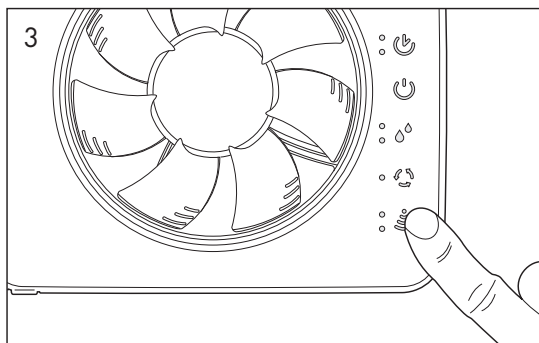
## Quick App Connection



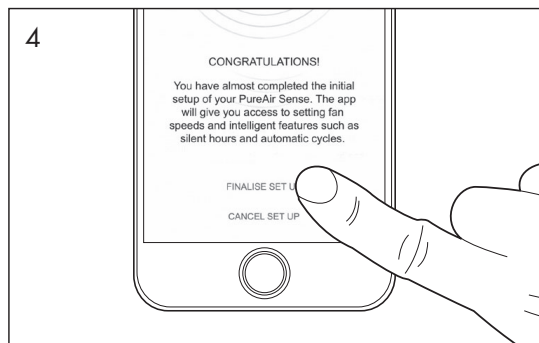
1. Once you have downloaded the app, simply start by pressing the **+** symbol in the top right hand corner of the app to add your new fan.



2. With your fan switched on, press the **Power** symbol in the middle of the fan's touch panel to illuminate all the available functions in blue.



3. Then press and hold the **Connectivity** icon at the bottom of the touch panel. Once the symbol flashes, the app and fan are connected.



4. The fan will automatically connect to the app, with no need to input passwords or pin numbers. Click the 'Finalise Set Up' button to finish.

Please visit the Downloads section of the Pure Air Sense product page on our website for further instructions on using all the app functions: [www.vent-axia.com/pureairsense](http://www.vent-axia.com/pureairsense)

## Quick Guide

Function indication is given with different colours.



The function symbol is lit depending on the active function:

### No light

The fan is off or activated for continuous operation.

### Blue light

The fan is running due to increased humidity.

### Flashing blue light

The fan is sensing the environment and re-calibrating to assess its humidity surroundings.

### Green light

The odour sensor has activated the fan and is boosting.

### Purple light

The fan has started the airing function after 26hrs of inactivity.

### Yellow light

The overrun timer is active - triggered via light sensor or switch live.

### Flashing yellow

The delay timer is counting down, flashing more quickly towards the end.

To access the functions that can be programmed:

First press the function icon.



All programmable function symbols light up.



Timer



Humidity Control



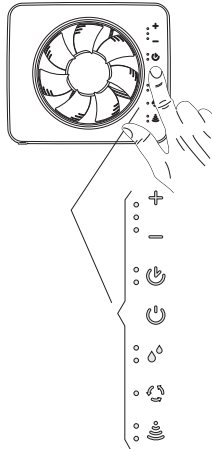
Continuous Operation



Light, Odour & Bluetooth App Connectivity Sensor

To activate the desired function, press any of the four symbols and then follow the instructions to the right.

The process is then ended by pressing the function icon twice.



Timer		
Select time:	Activate/deactivate delayed start:	Increase/decrease airflow:
One press at a time	Hold for 2 secs. The lamps flash 3 times	Press the +/- buttons
15 min 30 min	15 min 30 min	
Humidity Control		
The lights will show which selection option you are on:	Press once to scroll to the next option. Keep scrolling until you get to the option you want.	Increase/decrease airflow during humidity-activated operation:
	Hold for 2 secs	Press the +/- buttons
Fast	Fast	
Normal	Normal	
Slow	Slow	
Deactive	Deactive	
Continuous Operation		
Activate:	Deactivate:	Increase/decrease airflow:
Press until the lamp comes on	Press until the lamp goes off	Press the +/- buttons
Light and Odour Sensor		
Indications:	Activate/deactivate:	Increase/decrease airflow:
The corresponding lamp lights up	Press repeatedly until the lamp goes on or off	Select the Timer speed function, which is common for the flow with the lights sensor
Light Sensor	Light Sensor	Air quality function has same speed as humidity function
Odour Sensor	Odour Sensor	Press the +/- buttons
Light Sensor & Odour Sensor		
Inactive		
Bluetooth App Connectivity		
(To connect)	1. Press until all the lamps come on	2. Press until the lamp flashes
Reset		
(to factory settings)	Activate 1 touch	Touch and hold for 5 sec