

VKM Series

All metal centrifugal inline fan offering exceptional performance when ducted long distances.

IPX4
Rated

Blaubeurg
Motoren
Motor

European
Made

2
Year

2 year
replacement
warranty

- 100: EXVUV100
- 125: EXVUV125
- 150: EXVUV150B
- 200: EXVUV200
- 250: EXVUV250
- 315: EXVUV315

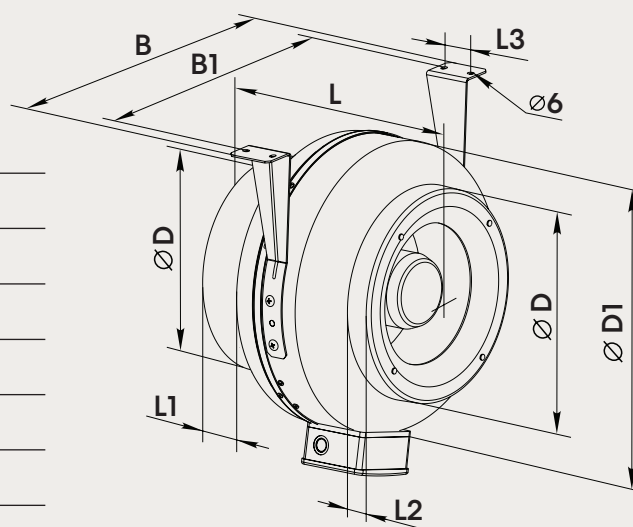


All models can be used with the ESEEAS speed controller. This is a dimmer style speed switch.



Dimensions (mm)

Model	100	125	150	200	250	315
D	98	123	149	198	248	314
D1	254	254	304	344	344	404
B	298	298	349	395	390	454
B1	258	258	309	355	350	414
L	205	205	220	255	249	260
L1	20	20	25	25	25	25
L2	25	25	25	29	31	40
L3	30	30	30	40	40	40



	100 High	125 High	150 High	200 High	250 High	315 High
Voltage	220 / 240	220 / 240	220 / 240	220 / 240	220 / 240	220 / 240
Current (A)	0.32	0.33	0.45	0.84	0.85	1.34
Power (w)	73	75	100	193	194	296
Noise Level dB(A)	47	47	45	49	52	54
Capacity (m3/hr)	270	355	580	1150	1310	1880
Capacity (l/s)	75.06	98.69	161.11	319.44	364.18	522.64
Capacity (CFM)	159.03	209.09	341.38	647.9	771.59	1107.32
Duct Size (mm)	100	125	150	200	250	315*

Maximum temperature of transferred air 45°. The fan is designed for indoor application with the ambient temperature ranging from +1 °C up to +40 °C and relative humidity up to 80 %.

*We recommend using 350mm diameter flexible ducting

Includes mounting brackets for secure installation.

